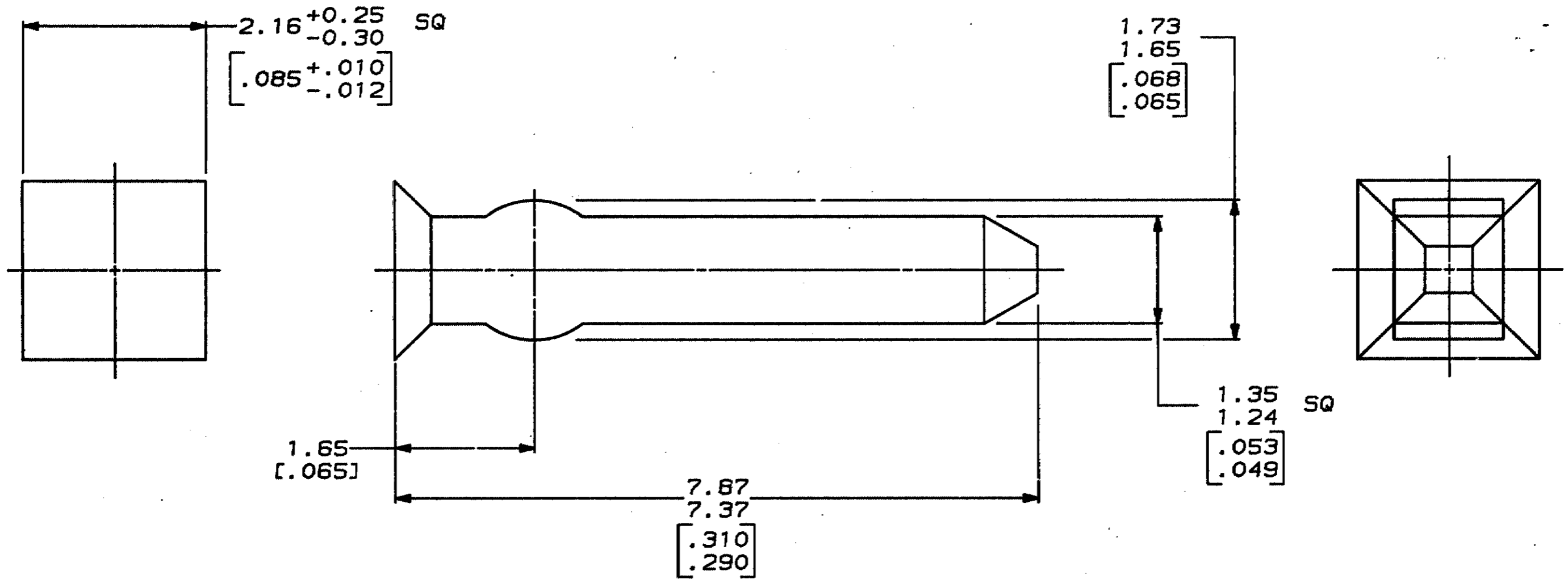


THIS DRAWING IS UNPUBLISHED. RELEASED FOR PUBLICATION, 19
 © COPYRIGHT 19 BY AMP INCORPORATED. ALL INTERNATIONAL RIGHTS RESERVED.

LOC	DIST	P	F	ZONE	LTR	REVISIONS	DATE	APPD
CM	54	✓			C	REV AND REDWN PER ECN CM-11	3-22-91	TB RS

1. DIMENSIONS IN BRACKETS ARE IN INCHES.



METRIC

640629-1
PART NO

DO NOT SCALE PRINT. UNLESS SPECIFIED DIMENSIONS IN mm (INCHES) TOLERANCES ON: 2 PLC DEC * - 3 PLC DEC * 0.13 (.005) ANGLES * -	DR	AMP Incorporated	
	CHK	Harleburg, PA 17105-3608	
	APPD	NAME	
	APPD	KEYING PLUG, MTA 156	
MATERIAL	NYLON, 6/6 NATURAL	SIZE	CAGE CODE
FINISH	-	B	00779
		SCALE	DRAWING NO
		20:1	640629
			SHEET
			1 OF 1